

# 3/8" Ribbed Recessed Switch Set

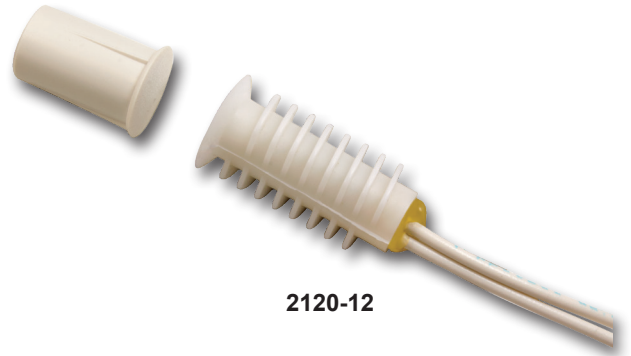


WWW.GRISK.COM

## 2120-12 Series



- ◆ Recessed magnetic contact
- ◆ Ribbed design allows secure fit
- ◆ Protects reed from swelling wood and header shift
- ◆ Cover over-drilled holes
- ◆ Self-centering
  - ◆ Solves angled wire path problems
  - ◆ Press to fit
  - ◆ 12" #22AWG Leads
- ◆ Longer leads, zip cord or jacketed cable upon request
  - ◆ Hermetically sealed
  - ◆ Plated contacts resist sticking or freezing
- ◆ Built-in E.O.L. Resistors and Diodes upon request
  - ◆ Supervisory Loops available upon request
  - ◆ Switches and Magnets available separately
    - ◆ Colors: white and brown
    - ◆ Lifetime Warranty



2120-12

### Part Numbers

	<u>Closed Loop</u>	<u>Open Loop</u>	<u>SPDT</u>
Standard Gap 1/2"+	2120-12	2130-12	2140-12
Wide Gap 3/4"+	2120-12WG	2130-12WG	2140-12WG

**WARRANTY:** Lifetime warranty against workmanship, material and factory defects.

GEORGE RISK INDUSTRIES, INC.  
G.R.I. PLAZA  
KIMBALL, NE 69145  
WWW.GRISK.COM



Made in U.S.A.

C\_RS 8\_ribbed 2120

TOLL-FREE 1-800-445-5218  
TOLL-FREE 1-800-523-1227  
(308) 235-4645  
FAX (308) 235-3561  
E-MAIL: sales@grisk.com

# 3/8" Ribbed Recessed Switch Set



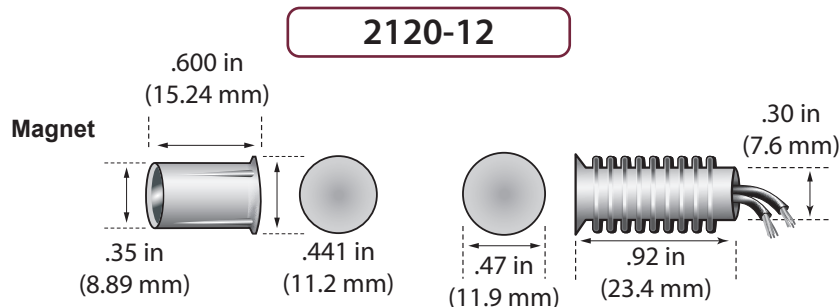
WWW.GRISK.COM

## INSTALLATION APPLICATIONS

The GRI 2120 Ribbed Switch, designed to complete a multi-task role, is a unique combination of special features and materials. The unusual ribbed outside diameter permits a secure mount over a wide range of drilled hole sizes. The installer does not have to glue this recessed switch into a slightly oversized hole, as the flexible ribs conform as it is pressed into the wood. Self adjusting to fit the larger hole, the 2120 also centers itself to the coverage of the mis-drilled hole.

Picked especially for the 2120 Ribbed Switches, a new material with enhanced memory properties allow the ribbed "O rings" to flex enough to fit an undersized hole but still maintain a firm holding force in an oversized hole. This mix of features yields an additional bonus in that it proves a high degree of protection from crushing, such as that encountered when wood swells or headers shift.

Finally, for installations utilizing an angled wire path away from the hole drilled for the switch barrel, the 2120 merely need to be aligned with one flat side along the path drilled for the lead wire and press fit. The ribbed rings, not being continuous, simply adjust to the wire and allow for an easy and quick install.



### GRI PRODUCTS MEET OR EXCEED THESE MINIMUM GENERAL SPECIFICATIONS:

Part Number	Loop Type	Electrical Configuration	Reed Form	Max. Initial Contact Resistance (Ω)	Max. Contact Rating (W)	Max. Switching Voltage (VDC)	Max. Switching Current (A)
2120-12	Closed	N/O	A	.150	10	200	.500
2120-12WG	Closed	N/O	A	.150	10	200	.400
2130-12	Open	N/C	B	.140	5	175	.250
2130-12WG	Open	N/C	B	.140	5	175	.250
2140-12	Open/Closed	SPDT	C	.140	5	175	.250
2120-12WG	Open/Closed	SPDT	C	.140	5	175	.250

**WARRANTY:** Lifetime warranty against workmanship, material and factory defects.

GEORGE RISK INDUSTRIES, INC.  
G.R.I. PLAZA  
KIMBALL, NE 69145  
WWW.GRISK.COM



TOLL-FREE 1-800-445-5218  
TOLL-FREE 1-800-523-1227  
(308) 235-4645  
FAX (308) 235-3561  
E-MAIL: sales@grisk.com